

ELLE-CI LEONIDA

designer: Giovanni Scurria

Elle-ci propone la nuova collezione **Leonida Kitchen** con il suo industrial design offre la possibilità di creare la propria cucina personalizzabile nelle finiture

Concept contenuti anche in **Leonida Bookcase**, la libreria dalle linee minimal con il fuoco al centro come nostra tradizione.

LEONIDA la qualità si fa mito

Elle-ci introduces us to the new **Leonida Kitchen collection**. With its industrial design it gives the possibility of creating one's own kitchen that can be customized in the finishing touches.

This concept is also included in the Leonida Bookcase, the bookcase with minimal lines and with the fire in the center in accordance with our traditions.

LEONIDA the quality becomes a myth



Project: Leonida complete kitchen, New York, United States of America.
materials & finishes: black natural iron, concrete, acid-etched glass.



Project: Leonida Bookcase + ethanol fireplace, New York, United States of America.

Materials & Finishes: black natural iron.



Product:

Leonida island kitchen,
Treviso, Italy .

Materials & Finishes:

black natural iron, Indian
black marble.





Product:
Outdoor Leonida
kitchen, Jesolo, Venice,
Italy.

Materials & Finishes:
shiny white iron,
piasentina stone.





Project: Outdoor Leonida kitchen, Manchester, Great Britain.
materials & finishes: black embossed iron, concrete.



Project: Outdoor Leonida kitchen, Fiesole, Florence, Italy.
materials & finishes: black embossed iron, concrete.



Project: Leonida kitchen, Venice, Italy.
materials & finishes: black natural iron, concrete.



Project: Leonida island kitchen, Berlin, Deutschland.
materials & finishes: black embossed iron, pickled iron, concrete.

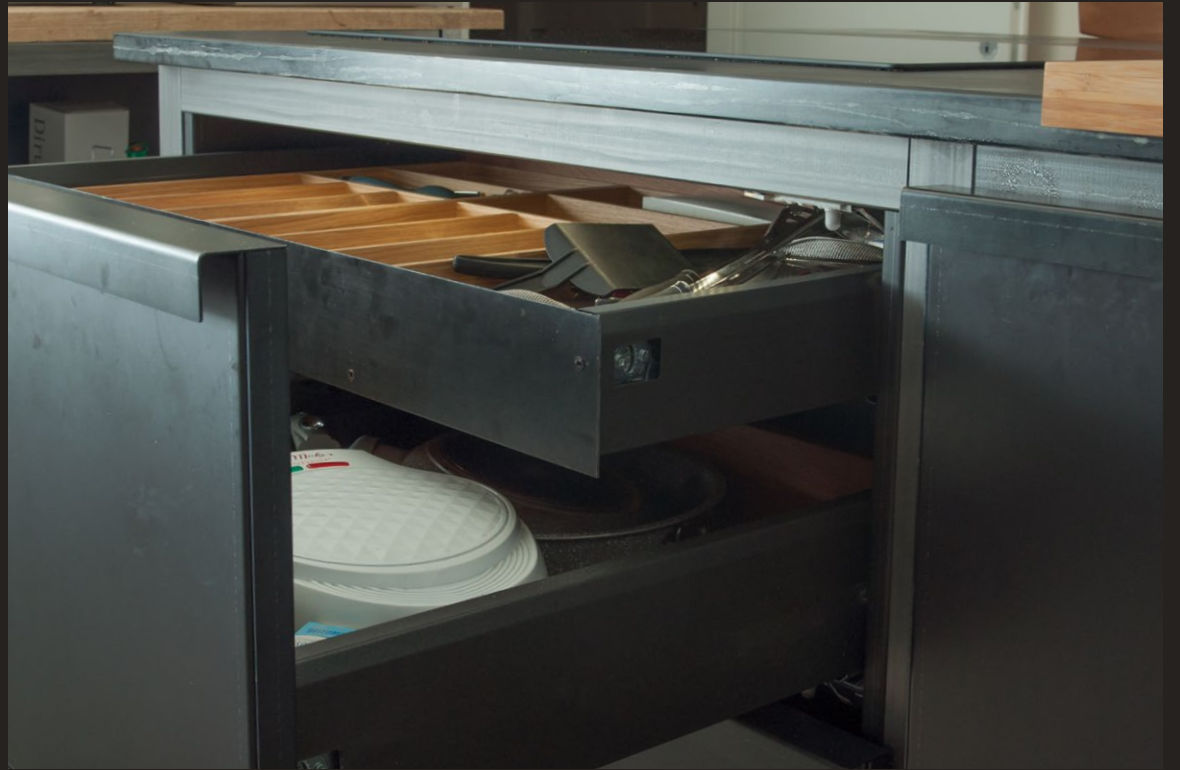


Project: Leonida kitchen, Lisboa, Portugal.
materials & finishes: black natural iron, larch wood, concrete.



Project: Leonida kitchen, Tarragona, Spain
materials & finishes: shiny ice gray, larch wood, concrete.







stanco del solito look? Cambialo!

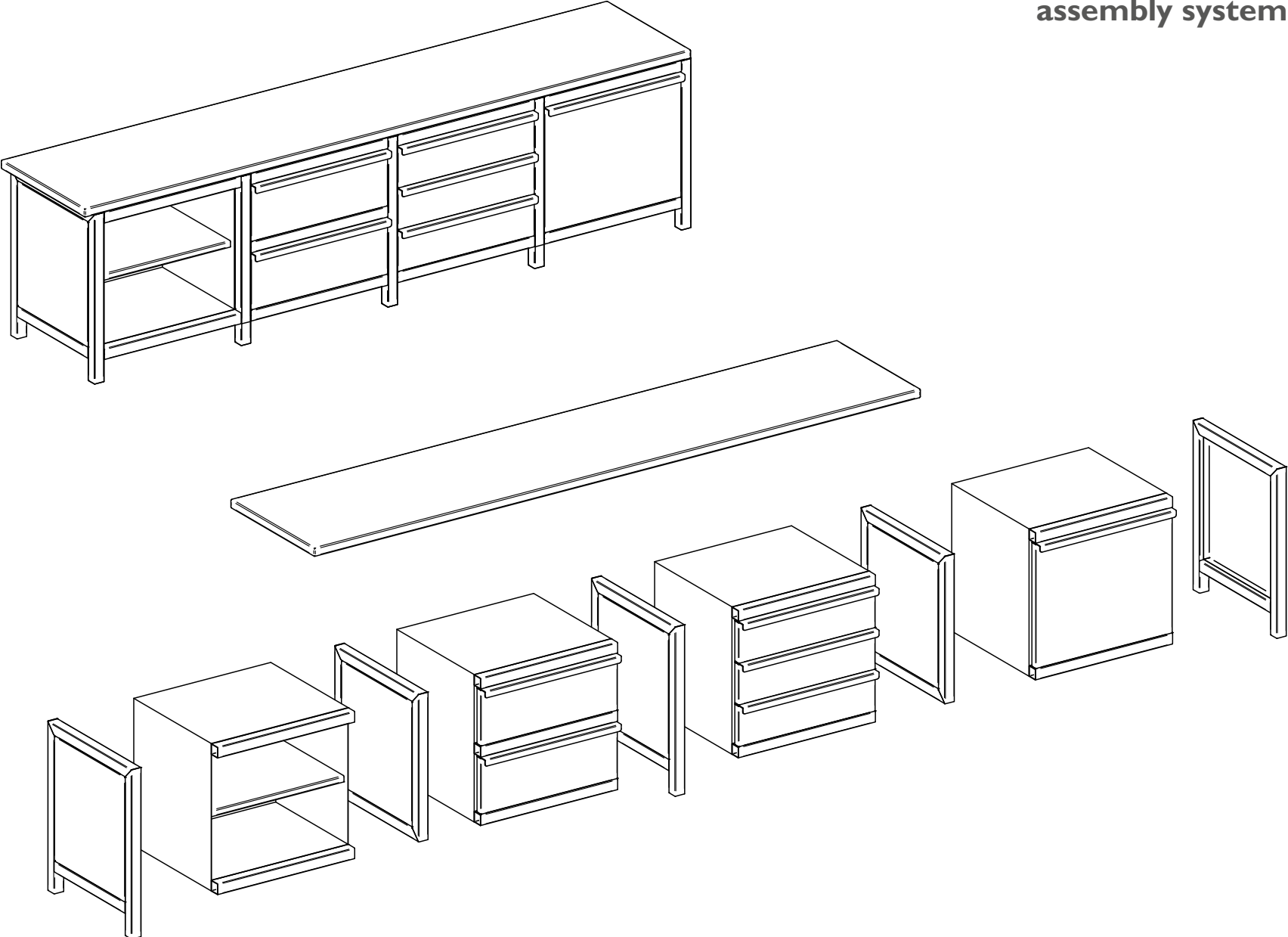
Nella cucina Leonida è possibile cambiare l'aspetto semplicemente sostituendo il pannello anteriore dell'anta, senza sostituire l'intero sportello e riducendo la spesa.

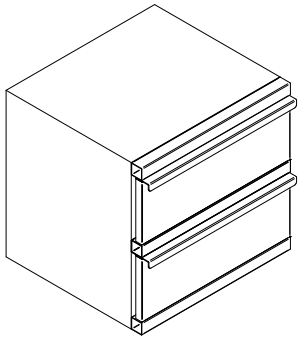
Tired of the usual look? Change it!

In the Leonida kitchen it is possible to change the appearance simply replacing the front panel of the door, without replacing the entire door and reducing the expense.



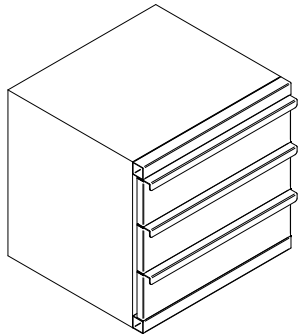
assembly system





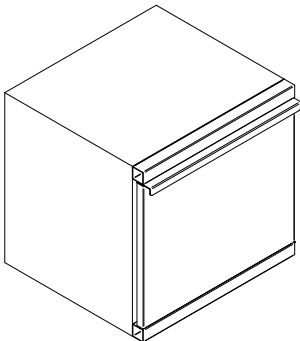
CODICE	MOBILE IN LUCE
	BASE 2 CASSETTONI
LB2C-60L	L 64-H78-P64
LB2C-90L	L94-H78-P64
LB2C-133L	L 133-H78-P64

CODICE	MOBILE A BATTENTE
	BASE 2 CASSETTONI
LB2C-60	L 64-H78-P64
LB2C-90	L94-H78-P64
LB2C-133	L 133-H78-P64



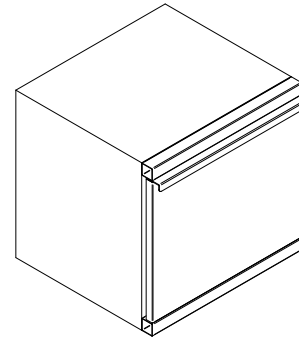
CODICE	MOBILE IN LUCE
	BASE 3 CASSETTONI
LB3C-60L	L 64-H78-P64
LB3C-90L	L 94-H78-P64
LB3C-133L	L 133-H78-P64

CODICE	MOBILE A BATTENTE
	BASE 2 CASSETTONI
LB3C-60B	L 64-H78-P64
LB3C-90B	L 94-H78-P64
LB3C-133B	L 133-H78-P64



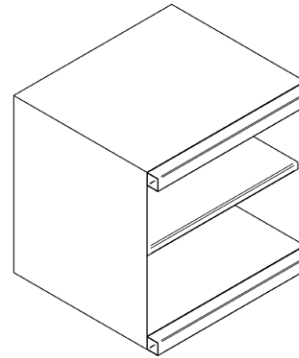
CODICE	MOBILE IN LUCE
	BASE LAVASTOVIGLIE
LBL-60L	L 64-H78-P64
LB1A-90L	L 94-H78-P64

CODICE	MOBILE A BATTENTE
	BASE 2 CASSETTONI
LBL-60B	L 64-H78-P64
LB1A-90B	L 94-H78-P64

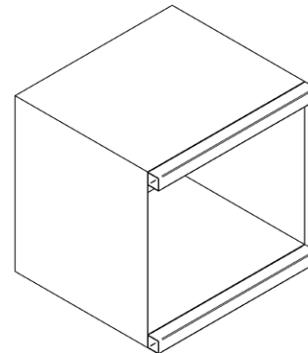


CODICE	MOBILE IN LUCE
	BASE AD 1 ANTA
LB1A-60L	L 64-H78-P64
LB1A-90L	L 94-H78-P64

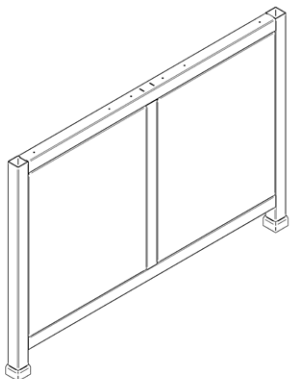
CODICE	MOBILE A BATTENTE
	BASE 2 CASSETTONI
LB1A-60B	L 64-H78-P64
LB1A-90B	L 94-H78-P64



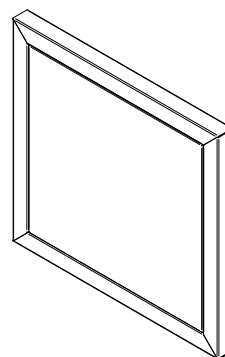
CODICE	MOBILE
	MOBILE GIORNO
LBG-60	L60-H88-62
LBG-90	L82-H88-62
LBG-133	L124-H88-62



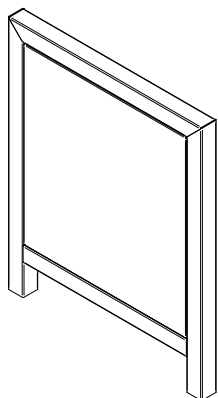
CODICE	MOBILE
	BASE FORNO
LBG-60	L 64-H78-P64
LBG-90	L 94-H78-P64



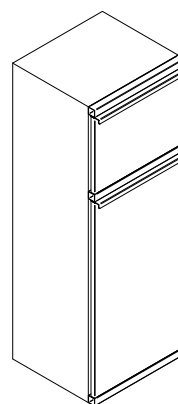
CODICE	MOBILE
	FIANCO FINIT. DOPPIO
LFFD-120	L 124-H88-P5
LB1A-90L	L 94-H78-P64



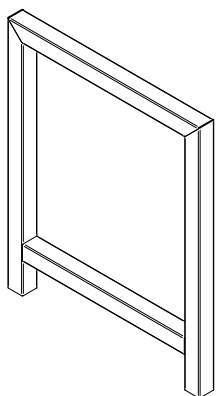
CODICE	MOBILE
	FIANCO INT. SOSP.
LFS-62	L 64-H78-P5
LFS-100	L 128-H78-P5



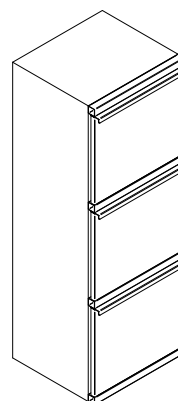
CODICE	MOBILE
	FIANCO FINITURA
LFF-60	L 64-H88-P5
LFF-120	L 128-H88-P5



CODICE	MOBILE IN LUCE
	COLONNA DISPENSA
LCD2A-80L	L 80-H210-P64



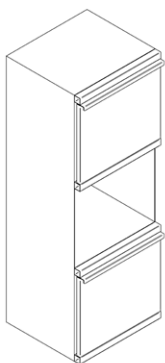
CODICE	MOBILE
	FIANCO INTER.
LFI-62	L 64-H88-P5
LFI-120	L 128-H88-P5



CODICE	MOBILE A BATTENTE
	COLONNA DISPENSA
LCD2A-80B	L 80-H210-P64

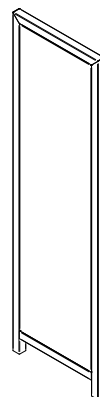
CODICE	MOBILE IN LUCE
	COLONNA DISPENSA
LCD3A-80L	L 80-H210-P64

CODICE	MOBILE A BATTENTE
	COLONNA DISPENSA
LCD3A-80B	L 80-H210-P64

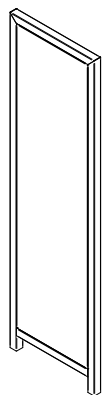


CODICE	MOBILE IN LUCE
	COLONNA FORNO
LCF2A-80L	L 80-H210-P64

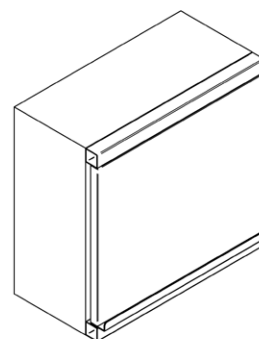
CODICE	MOBILE A BATTENTE
	COLONNA FORNO
LCF2A-80B	L 80-H210-P64



CODICE	MOBILE
	FIANCO INTER.
FDI-62	L 64-H220-P5

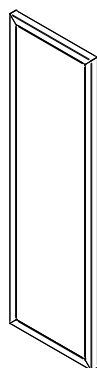


CODICE	MOBILE
	FIANCO FINITURA
FDI-62	L 64-H220-P5



CODICE	PENSILI B-70
LP45	L45XH70XP62
LP60	L64XH70XP62

CODICE	PENSILI GIORNO
LPG45	L45XH70XP62
LPG60	L64XH70XP62



CODICE	MOBILE
	FIANCO INT. SOSP.
FDIS-62	L 64-H220-P5



Leonida Bookcase
Ampia possibilità di personalizzazione